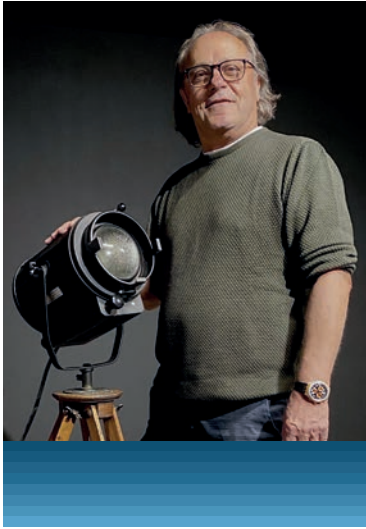


PER AQUAM
POOLS • FOUNTAINS LIGHTING



TEC LUMEN

See the difference.



**Quality is
the best investment
over time.**

GILBERTO CASON

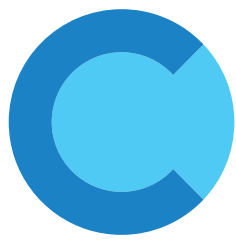
Founder and CEO of Teclumen Ltd.

Teclumen started in 1978 as a company specialising in the assembly of theatre lighting. With the passing of time and experience gained in the lighting sector the company was encouraged to create its own trademark and to offer a line of theatre products made in Italy and branded Teclumen. In 2003 the new head office and production plant was opened, concentrating into a single building the facilities for design, assembly, sales and after sales service. Today the company's production can satisfy the demands of various sectors such as: lighting for theatres, architecture, gardens, stages and shows, indoors, swimming pools and fountains.

In order to guarantee high quality, Teclumen carries out the main production stages in-house using the best in 3D design technology. Rapid flexible production is possible thanks to the highly technological machines (laser cutting) used. As regards the choice of components, Teclumen counts on reliable partners that are internationally acclaimed leaders; the final assembly, entirely inhouse, makes it possible to achieve high quality.

Teclumen has a well-organised, functional and well-stocked warehouse of products. These aspects facilitate prompt delivery all over the world.

MADE IN  SINCE
ITALY 1978



PER AQUAM
POOLS • FOUNTAINS LIGHTING

THE MOST BEAUTIFUL EMOTIONS ARE EXPERIENCED IN WATER.

Per Aquam is our division that specializes in designing emotions within the context of fountains. For years, underwater lighting has been our passion, and we are at the forefront of designing and creating powerful and visually striking underwater lights capable of staying in contact with water for extended periods.

Today, we design lamps for fountains of various sizes and features, carefully crafted to enhance each area of the structure in which they are placed.



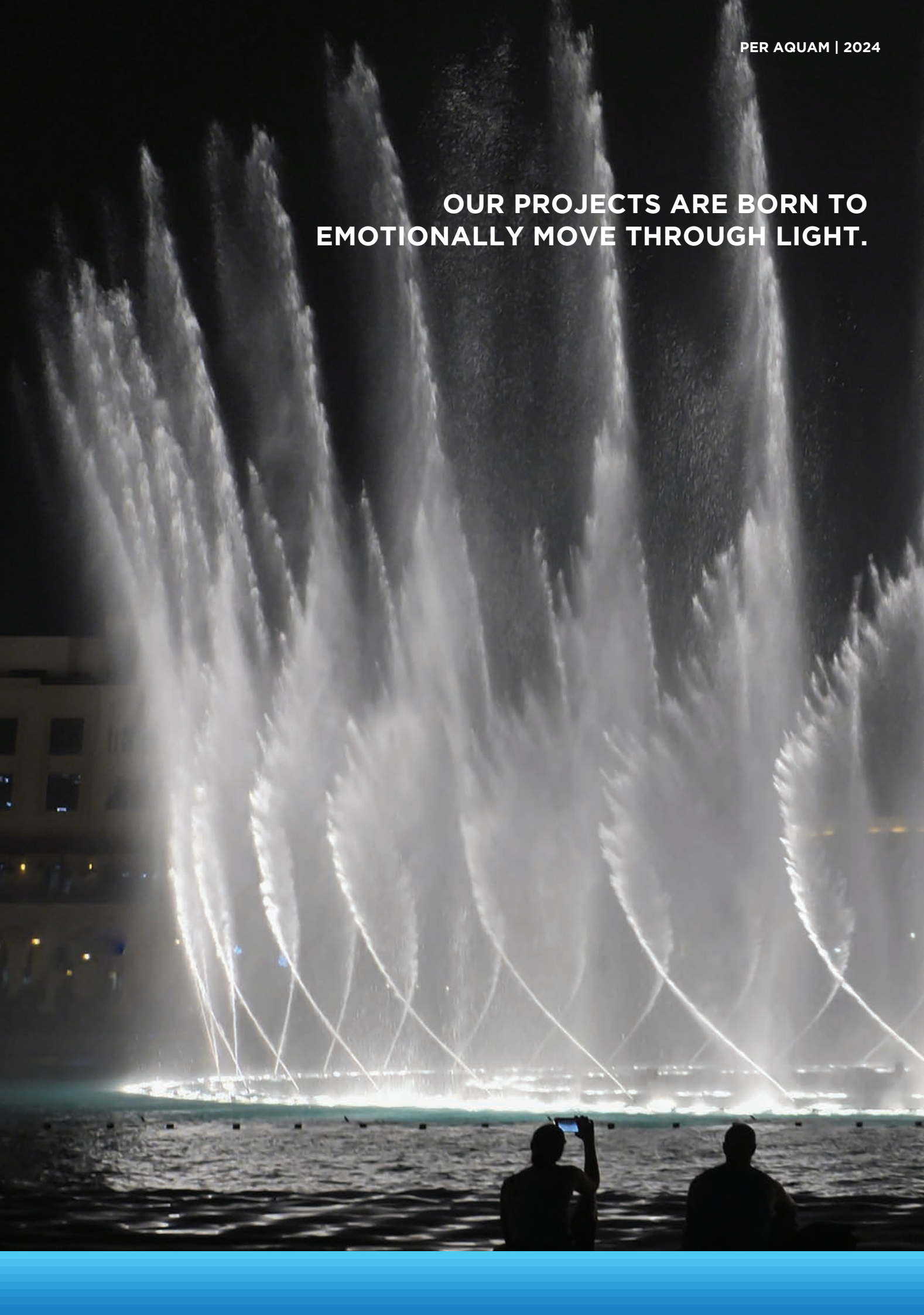
WATER IS EMOTION. AND WE WANT TO TRULY MAKE IT UNIQUE.

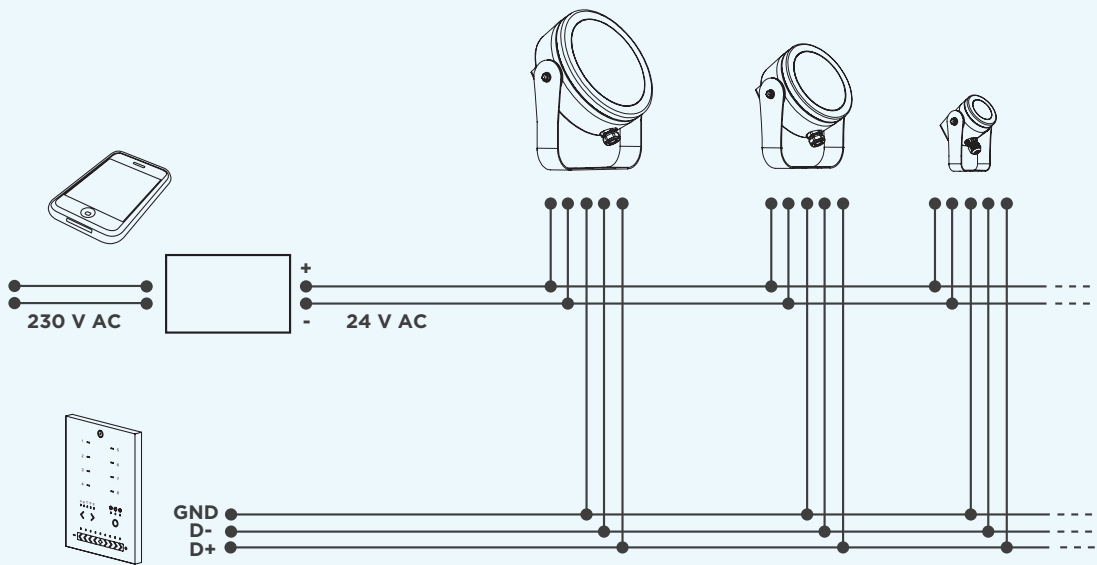
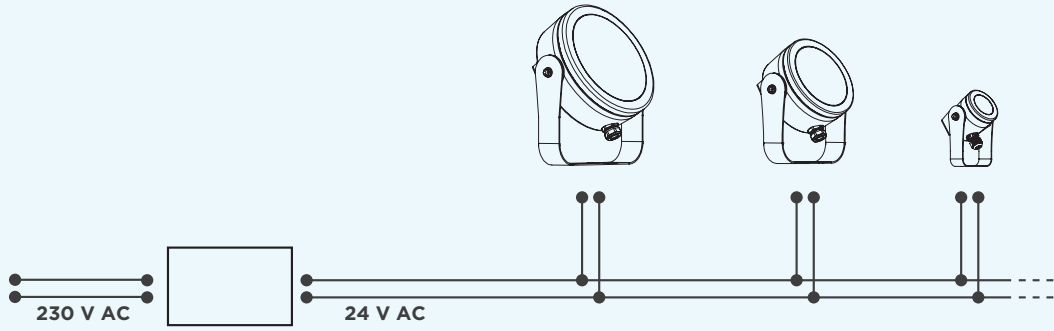
We began experimenting with LED technology in the early 2000s. This experience, combined with the development from our other business divisions, now allows us to create products capable of creating any type of atmosphere with light and producing highly technological and extremely weather-resistant and water-erosion-resistant products. From these skills, our most important range in the fountain field was born: Corallo. This series of lights was conceived and designed to achieve better luminous efficiency with fewer lamps, offering an improved color mixing.

The **know-how** derived from thirty years of experience in the entertainment industry has given us a “bird’s-eye view” in the field of fountain light design. This allows us to be the ideal partner not only in providing lighting fixtures but also in supplying control systems capable of creating customized scenarios and synchronizing light effects with music, even from PCs and smartphones.

Furthermore, we are leaders in the realization of true underwater lighting projects that fully exploit the potential of various lamps within the structure to be illuminated.

**OUR PROJECTS ARE BORN TO
EMOTIONALLY MOVE THROUGH LIGHT.**





THE TECHNOLOGIES INSIDE OUR LIGHTS.

FIX

FIX

The technology of LED lamps with a 2-wire cable with fixed color W (white).
The ideal solution for replacing traditional halogen lamps.

DMX

DMX

The technology of RGBW LED lamps with a 5-wire cable controlled by a DMX system.
The most widely used solution in stage lighting. Each lamp can be individually programmed, providing the possibility to divide the space into different zones with dedicated and varied lighting. Moreover, it allows creating automatic sequences and endless combinations of colors.

CORALLO

Spectacular performance with impeccable colors.



CORALLO6

PAG 12



CORALLO3

PAG 16



CORALLO1

PAG 20

MINI SUB

Perfect and unobtrusive lighting with a touch of class.



fontana
MINISUB

PAG 26



fontana
MINISUB^{IN}

PAG 30

CLASSIC

Maximum elegance to illuminate with style and efficiency.



fontana
PAR56^{POWER}

PAG 36



fontana
MINI

PAG 40

Controllers



SPLITTER DMX

PAG 46



DONGLE DLC 901

PAG 46



STICK KE2

PAG 47



STICK DE3

PAG 47



DINA

PAG 48



STICK GU2

PAG 48

Accessories



SPECIAL CABLES

PAG 52



24V DC IP67
POWER SUPPLY

PAG 52



5-PIN IP68 JOINT

PAG 53



5-PIN "Y" IP68
JOINT

PAG 53



IP68 CONNECTORS

PAG 54



CABLE INSULATION
KIT

PAG 54



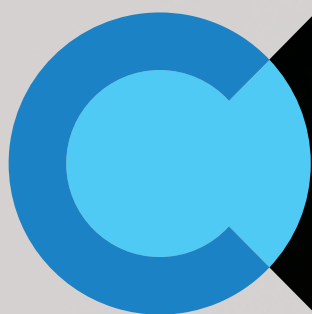
BRACKET FOR PAR
56 FONTANA

PAG 55



BRACKET FOR MINI
FONTANA

PAG 55



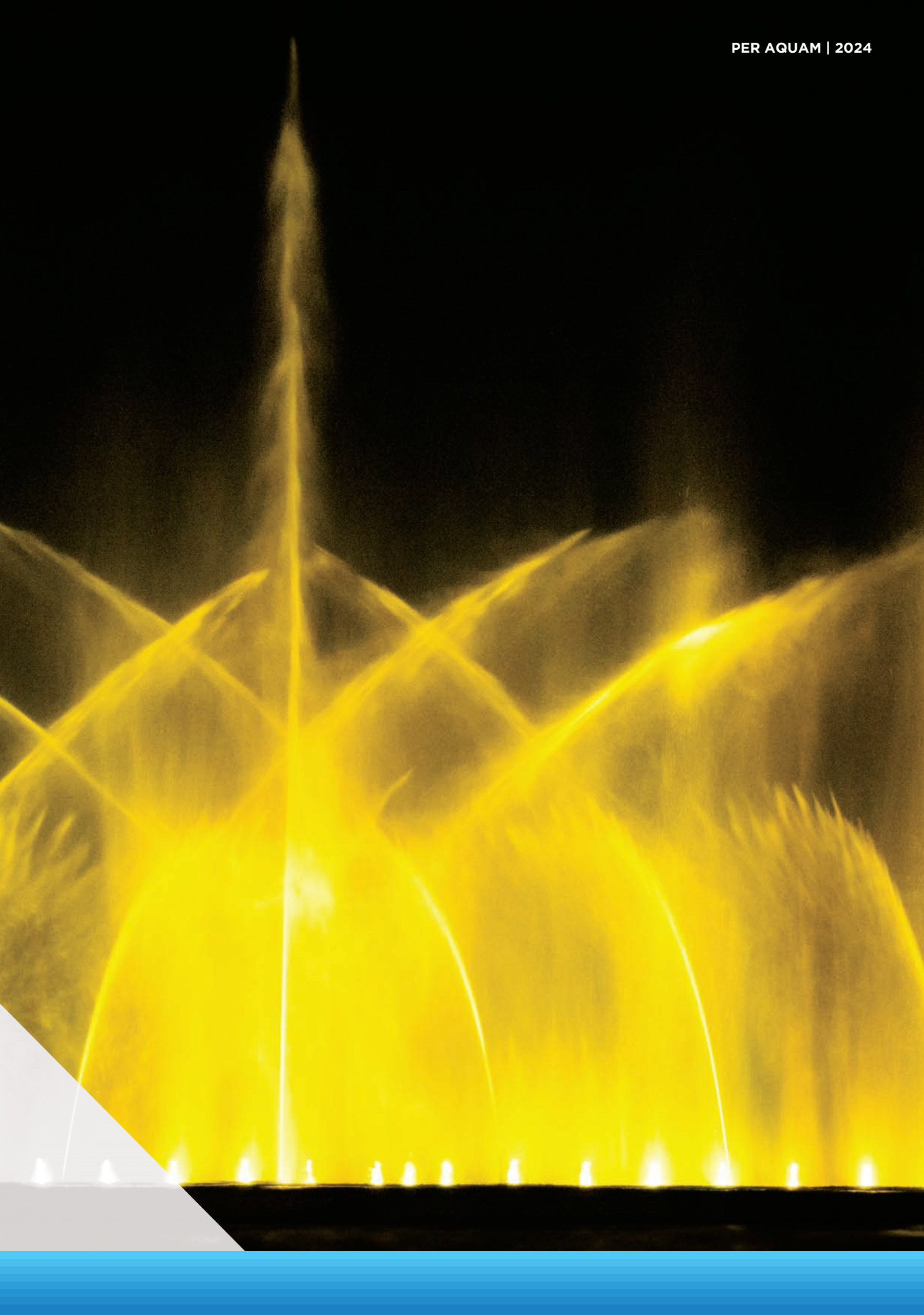
CORALLO

Spectacular performance with impeccable colors.

CORALLO is the line of LED lamps that provides high-quality professional lighting for dancing fountains, thanks to excellent luminous efficiency with impeccable color mixing and flicker-free technology for smooth and impactful video recordings.

With a wide range of available optics and powered by 24 V DC, these lamps offer flexibility and ease of installation for events, concerts, as well as architectural settings. CORALLO lamps are the perfect choice for creating fascinating and engaging atmospheres, delivering unforgettable experiences.



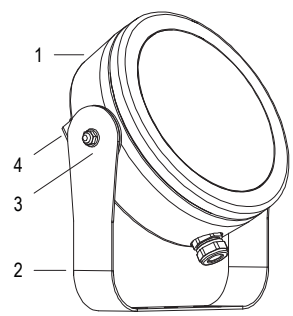




CORALLO 6

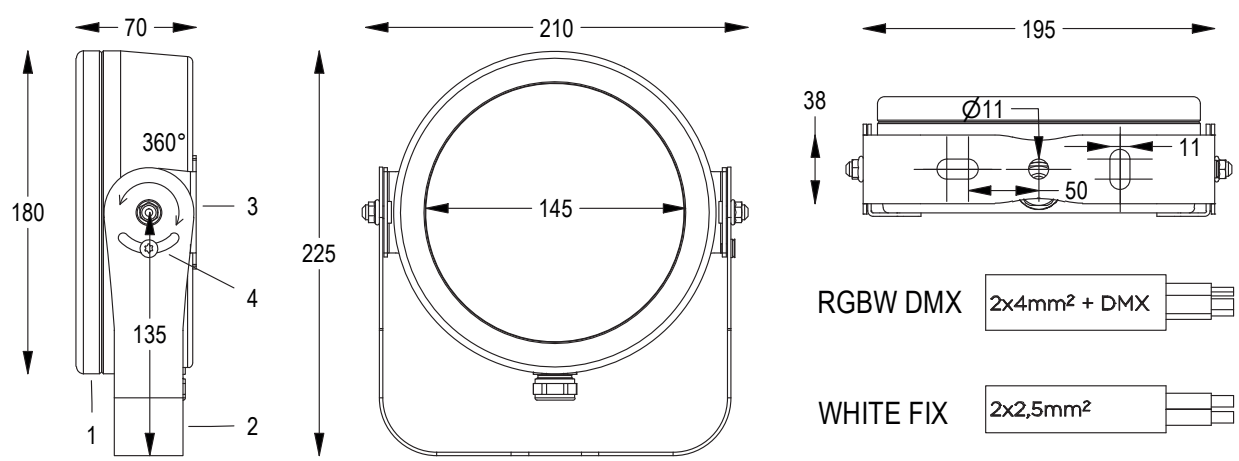
LED lamp for large fountains with high luminous efficiency. Available with various optics to illuminate jets of different shapes and sizes. Bracket allows installation in any position.

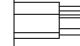
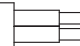
-  24V DC
-  CL III
-  IP68
-  AISI316L STEEL
-  GLASS



- 1 LAMP
- 2 MOUNTING BRACKET
- 3 TILT FRICTION
- 4 LAMP SUPPORT

Technical drawing



- RGBW DMX  2x4mm² + DMX
- WHITE FIX  2x2,5mm²

FIX FIXED COLOR VERSION

W **2**
WIRES

100 W 90 m

Other color temperatures are available upon request.

Code	LED color	Total luminous flux	Beam opening	€
LAMP WITH 8m of CABLE				
3509380693	5000K	10400 lumen	10°	-
3509390693	5000K	10400 lumen	25°	-
3509530693	5000K	10400 lumen	35°	-
3509560693	5000K	10400 lumen	95°	-

DMX RGBW VARIABLE COLOR VERSION WITH DMX CONTROL

RGB **5**
WIRES

100 W DMX 512 RGBW
 100 m

Code	LED color	Total luminous flux	Beam opening	€
LAMP WITH 8m of CABLE				
3509370694	RGBW	4800 lumen	7°	-
3509620694	RGBW	4800 lumen	10°	-
3509390694	RGBW	4800 lumen	25°	-
3509530694	RGBW	4800 lumen	35°	-
3509560694	RGBW	4800 lumen	95°	-

ACCESSORIES



PSU 24V 120W
Cod. 0217210028
€ -
p. 52



PSU 24V 320W
Cod. 0221210028
€ -
p. 52



CABLE 2 X 2.5
Cod. 9003079010
€ -
p. 52



JOINT IP68
Cod. 5395000000
€ -
p. 53

ACCESSORIES DMX



CABLE 2 X 4 + DMX
Cod. 9003099010
€ -
p. 52



IP68 "Y" JOINT
Cod. 5395410000
€ -
p. 53



DLC 901
Cod. 33171315
€ -
p. 46



STICK KE2
Cod. 29091306
€ -
p. 47



STICK DE3
Cod. 29090306
€ -
p. 47



DINA-DR2 LITE
Cod. 60001306
€ -
p. 48

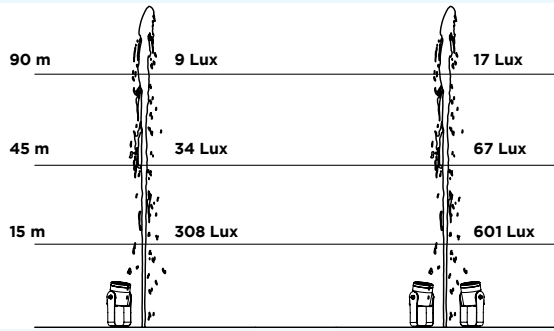


STICK GU2
Cod. 29090106
€ -
p. 48



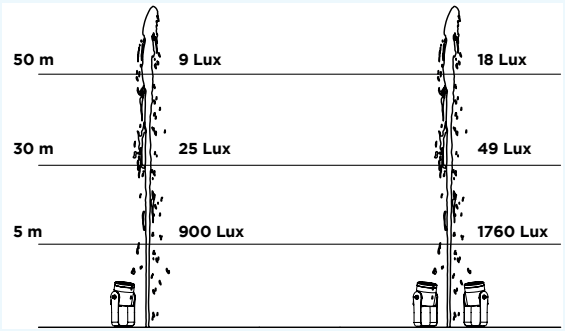
SPLITTER DMX
Cod. 00120432
€ -
p. 46

Comprehensive list of accessories and spare parts searchable from p. 44



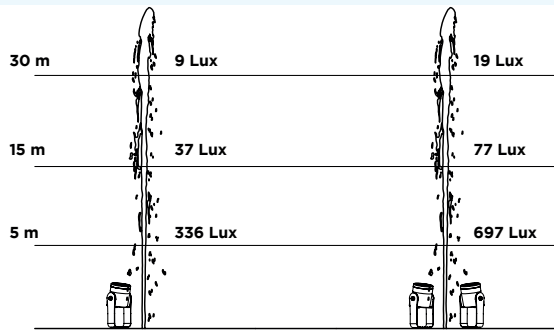
Dist. [m]	15	30	45	60	75	90
Lux	308	77	34	19	12	9

Corallo 6 5000K Power with 10° optics



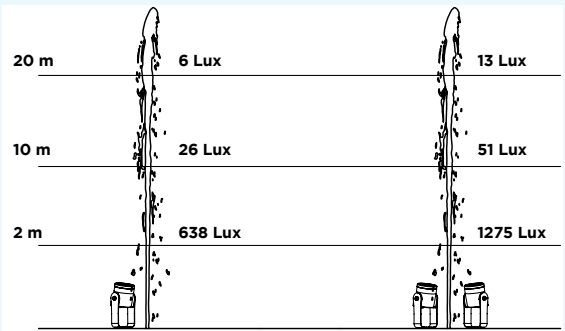
Dist. [m]	5	10	20	30	40	50
Lux	900	225	56	25	14	9

Corallo 6 5000K Power with 25° optics



Dist. [m]	5	10	15	20	25	30
Lux	336	84	37	21	13	9

Corallo 6 5000K Power with 35° optics

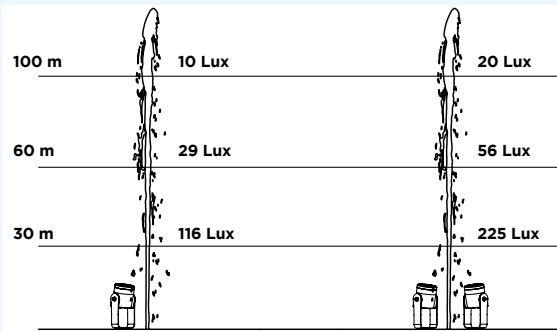


Dist. [m]	2	5	8	10	15	20
Lux	638	102	40	26	11	6

Corallo 6 5000K Power with 95° optics

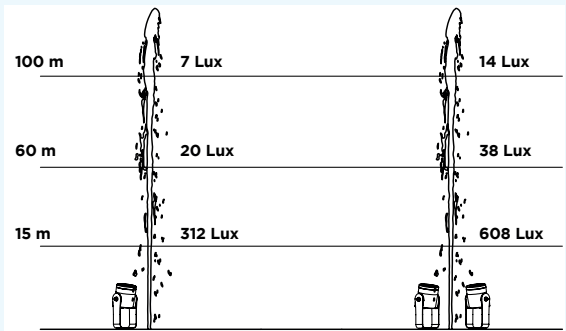


PHOTOMETRIC DATA
VARIABLE COLOR VERSION RGBW



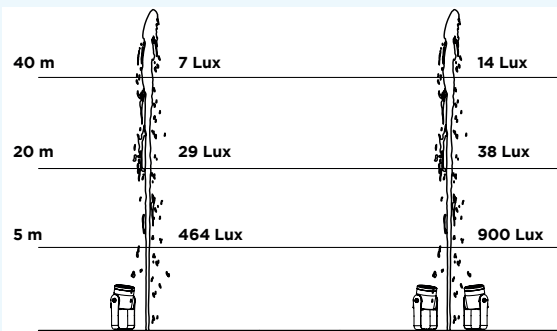
Dist. [m]	15	30	45	60	75	100
Lux	464	116	52	29	19	10

Corallo 6 RGBW with 7° optics
Calculated data with RGBW LEDs at 100% intensity.



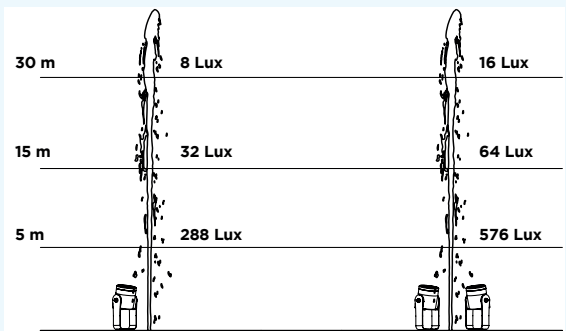
Dist. [m]	15	30	45	60	75	100
Lux	312	78	35	20	12	7

Corallo 6 RGBW with 10° optics
Calculated data with RGBW LEDs at 100% intensity.



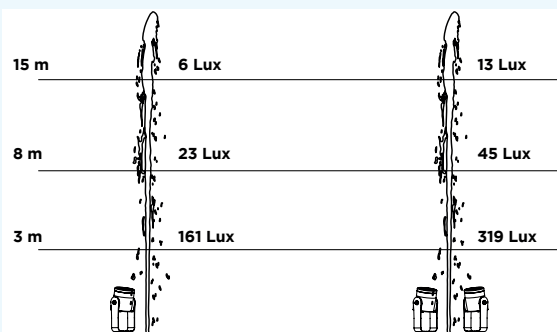
Dist. [m]	5	10	15	20	30	40
Lux	464	116	52	29	13	7

Corallo 6 RGBW with 25° optics
Calculated data with RGBW LEDs at 100% intensity.



Dist. [m]	5	10	15	20	25	30
Lux	288	72	32	18	12	8

Corallo 6 RGBW with 35° optics
Calculated data with RGBW LEDs at 100% intensity.



Dist. [m]	3	5	8	10	12	15
Lux	161	58	23	15	10	6

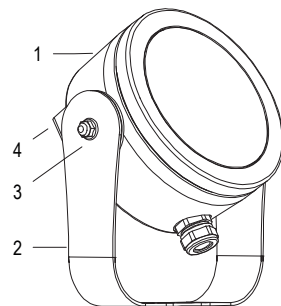
Corallo 6 RGBW with 95° optics
Calculated data with RGBW LEDs at 100% intensity.



CORALLO3

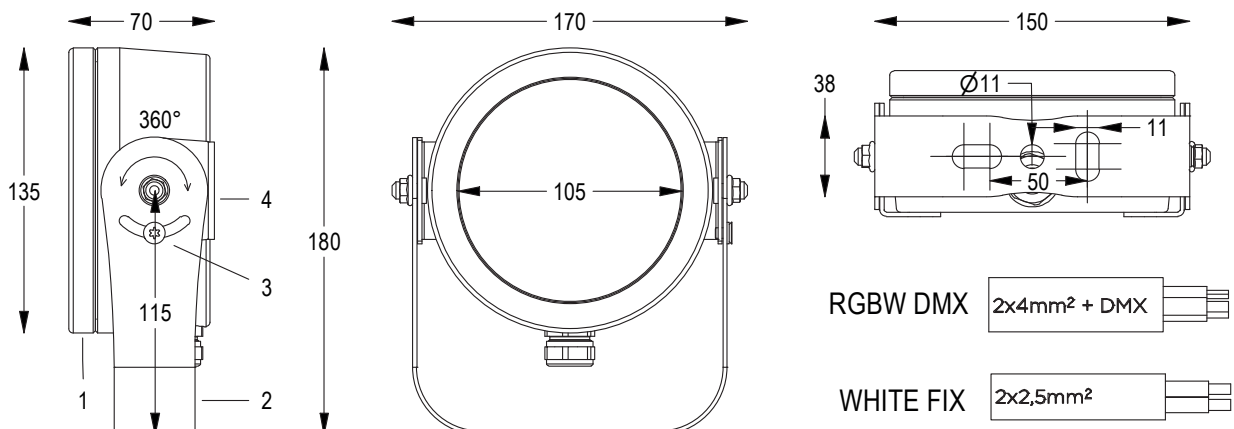
LED lamp for medium-sized fountains with high luminous efficiency. Available with various optics to illuminate jets of different shapes and sizes. Bracket allows installation in any position.

-  24V DC
  CL III
  IP68
-  AISI316L STEEL
  GLASS



- 1 LAMP
- 2 MOUNTING BRACKET
- 3 TILT FRICTION
- 4 LAMP SUPPORT

Technical drawing



FIX FIXED COLOR VERSION

W **2**
WIRES

55 W 50 m

Other color temperatures are available upon request.

	Code	LED color	Total luminous flux	Beam opening	€
LAMP WITH 8m of CABLE					
	3509380393	5000K	5200 lumen	10°	-
	3509390393	5000K	5200 lumen	25°	-
	3509530393	5000K	5200 lumen	35°	-
	3509560393	5000K	5200 lumen	95°	-

DMX RGBW VARIABLE COLOR VERSION WITH DMX CONTROL

RGB W **5**
WIRES

60 W DMX 512 RGBW
 75 m

	Code	LED color	Total luminous flux	Beam opening	€
LAMP WITH 8m of CABLE					
	3509370394	RGBW	2400 lumen	7°	-
	3509620394	RGBW	2400 lumen	10°	-
	3509390394	RGBW	2400 lumen	25°	-
	3509530394	RGBW	2400 lumen	35°	-
	3509560394	RGBW	2400 lumen	95°	-

ACCESSORIES



PSU 24V 120W
Cod. 0217210028
€ -
p. 52



PSU 24V 320W
Cod. 0221210028
€ -
p. 52



CABLE 2 X 2.5
Cod. 9003079010
€ -
p. 52



JOINT IP68
Cod. 5395000000
€ -
p. 53

ACCESSORIES DMX



CABLE 2 X 4 + DMX
Cod. 9003099010
€ -
p. 52



IP68 "Y" JOINT
Cod. 5395410000
€ -
p. 53



DLC 901
Cod. 33171315
€ -
p. 46



STICK KE2
Cod. 29091306
€ -
p. 47



STICK DE3
Cod. 29090306
€ -
p. 47



DINA-DR2 LITE
Cod. 60001306
€ -
p. 48

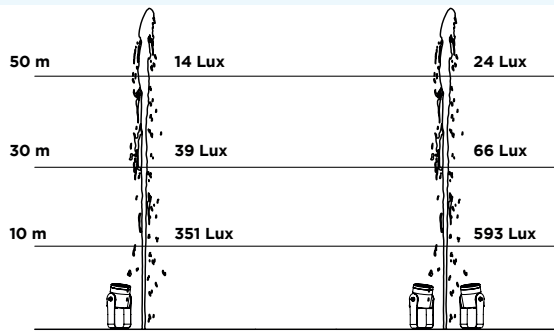


STICK GU2
Cod. 29090106
€ -
p. 48



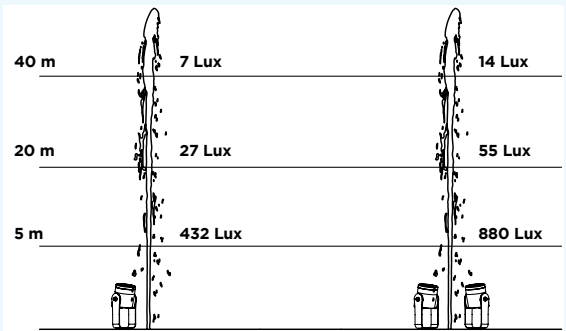
SPLITTER DMX
Cod. 00120432
€ -
p. 46

Comprehensive list of accessories and spare parts searchable from p. 44



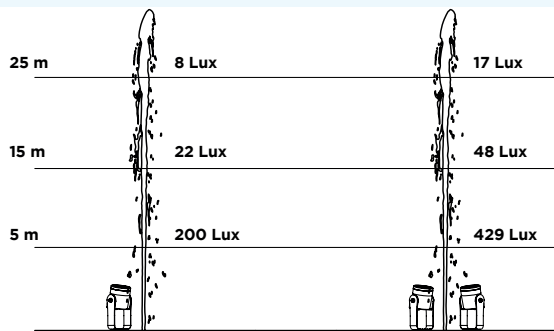
Dist. [m]	5	10	20	30	40	50
Lux	1404	351	88	39	22	14

Corallo 3 5000K Power with 10° optics



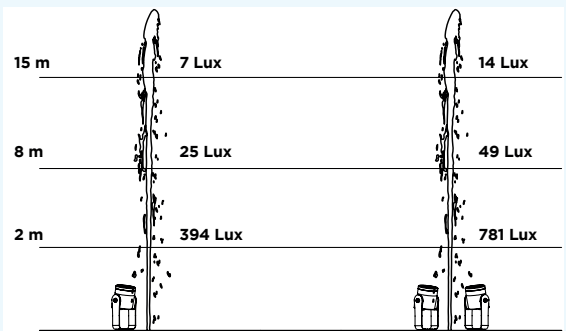
Dist. [m]	5	10	15	20	30	40
Lux	432	108	48	27	12	7

Corallo 3 5000K Power with 25° optics



Dist. [m]	5	7	10	15	20	25
Lux	200	102	50	22	13	8

Corallo 3 5000K Power with 35° optics

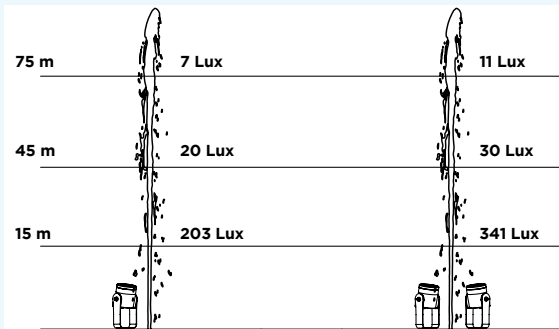


Dist. [m]	2	5	8	10	12	15
Lux	394	63	25	16	11	7

Corallo 3 5000K Power with 95° optics

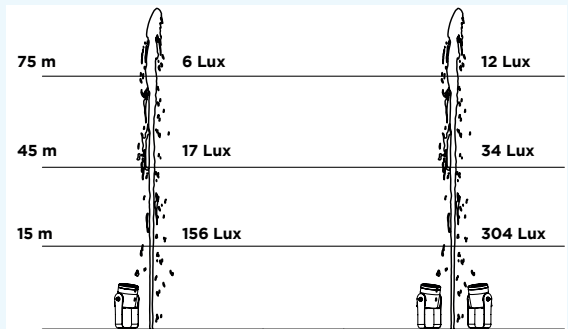


PHOTOMETRIC DATA
VARIABLE COLOR VERSION RGBW



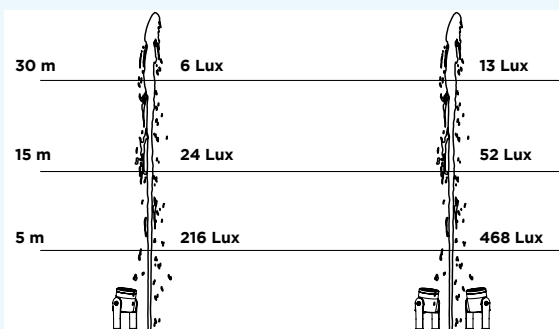
Dist. [m]	5	15	30	45	60	75
Lux	1641	203	52	20	11	7

Corallo 3 RGBW with 7° optics
Calculated data with RGBW LEDs at 100% intensity.



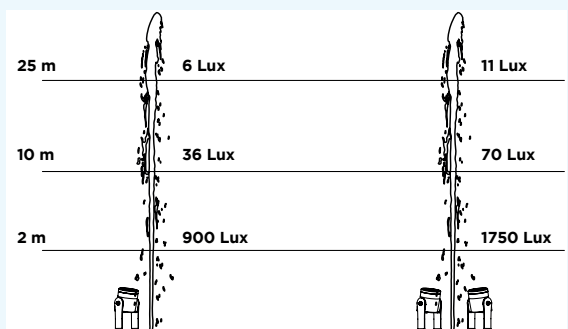
Dist. [m]	5	15	30	45	60	75
Lux	1404	156	39	17	10	6

Corallo 3 RGBW with 10° optics.
Calculated data with RGBW LEDs at 100% intensity.



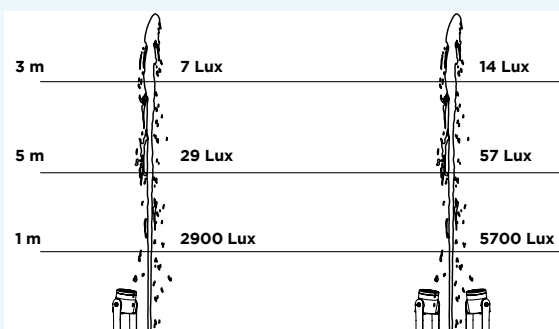
Dist. [m]	5	10	15	20	25	30
Lux	216	54	24	14	9	6

Corallo 3 RGBW with 25° optics
Calculated data with RGBW LEDs at 100% intensity.



Dist. [m]	2	5	10	15	20	25
Lux	900	144	36	16	9	6

Corallo 3 RGBW with 35° optics
Calculated data with RGBW LEDs at 100% intensity.



Dist. [m]	1	2	3	5	8	10
Lux	2900	181	81	29	11	7

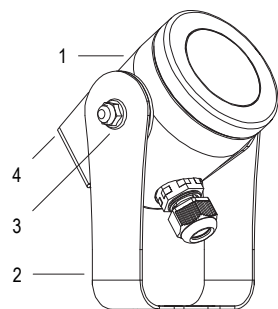
Corallo 3 RGBW with 95° optics
Calculated data with RGBW LEDs at 100% intensity.



CORALLO1

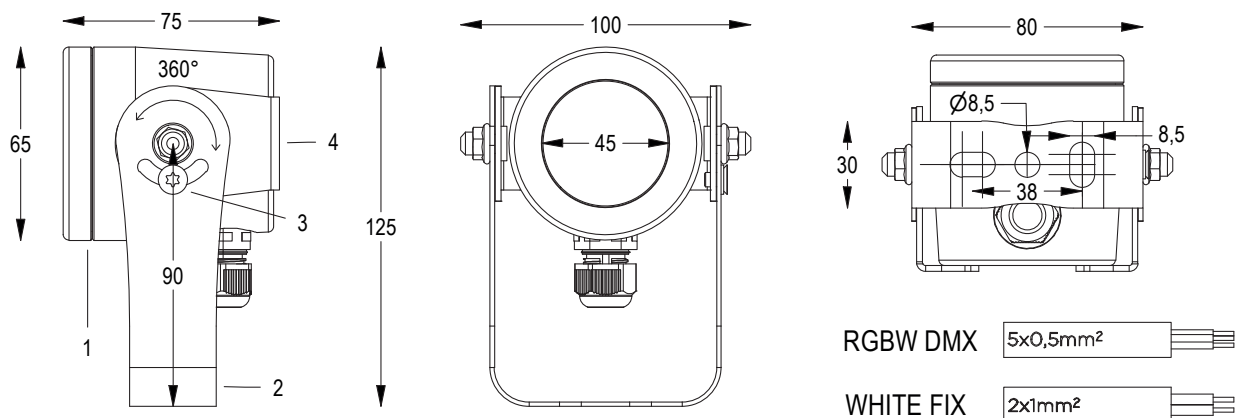
LED lamp for small to medium-sized fountains with high luminous efficiency. Available with various optics to illuminate jets of different shapes and sizes. Bracket allows installation in any position.

-  24V DC
  CL III
  IP68
-  AISI316L STEEL
  GLASS



- 1 LAMP
- 2 MOUNTING BRACKET
- 3 TILT FRICTION
- 4 LAMP SUPPORT

Technical drawing




FIX

FIXED COLOR VERSION

W **2**
WIRES

13 W **30 m**

Other color temperatures are available upon request.


	Code	LED color	Total luminous flux	Beam opening	€
LAMP WITH 8m of CABLE					
	3509380193	5000K	1000 lumen	10°	-
	3509390193	5000K	1000 lumen	25°	-
	3509530193	5000K	1000 lumen	35°	-
	3509560193	5000K	1000 lumen	95°	-

DMX

RGBW VARIABLE COLOR VERSION WITH DMX CONTROL

RGB W **5**
WIRES

13 W **DMX 512** **RGBW**
35 m

	Code	LED color	Total luminous flux	Beam opening	€
LAMP WITH 8m of CABLE					
	3509370194	RGBW	480 lumen	7°	-
	3509620194	RGBW	480 lumen	10°	-
	3509390190	RGBW	480 lumen	25°	-
	3509530194	RGBW	480 lumen	35°	-
	3509560194	RGBW	480 lumen	95°	-

ACCESSORIES



PSU 24V 120W
Cod. 0217210028
€ -
p. 52



PSU 24V 320W
Cod. 0221210028
€ -
p. 52



CABLE 2 X 1
Cod. 9003049010
€ -
p. 52



JOINT IP68
Cod. 5395000000
€ -
p. 53

ACCESSORIES DMX



CABLE 5 X 0.50
Cod. 9012029010
€ -
p. 52



IP68 "Y" JOINT
Cod. 5395410000
€ -
p. 53



DLC 901
Cod. 33171315
€ -
p. 46



STICK KE2
Cod. 29091306
€ -
p. 47



STICK DE3
Cod. 29090306
€ -
p. 47



DINA-DR2 LITE
Cod. 60001306
€ -
p. 48

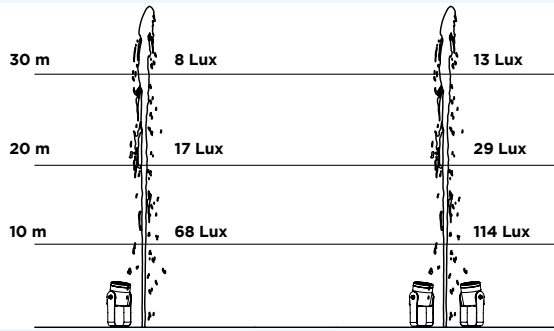


STICK GU2
Cod. 29090106
€ -
p. 48



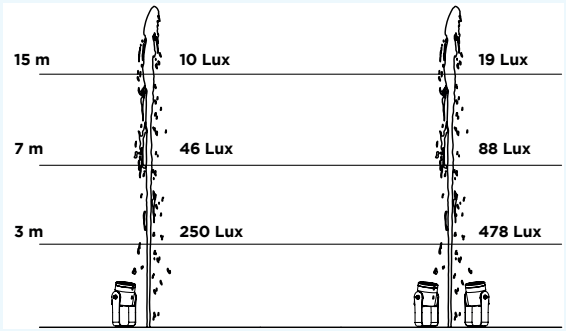
SPLITTER DMX
Cod. 00120432
€ -
p. 46

Comprehensive list of accessories and spare parts searchable from p. 44



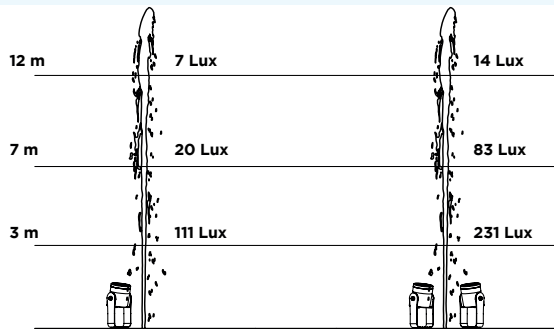
Dist. [m]	5	10	15	20	25	30
Lux	270	68	30	17	11	8

Corallo 1 5000K Power with 10° optics



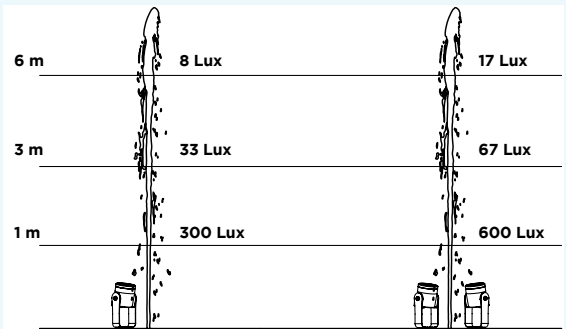
Dist. [m]	1	3	5	7	10	15
Lux	2250	250	90	46	23	10

Corallo 1 5000K Power with 25° optics



Dist. [m]	1	3	5	7	10	12
Lux	1000	111	40	20	10	7

Corallo 1 5000K Power with 35° optics

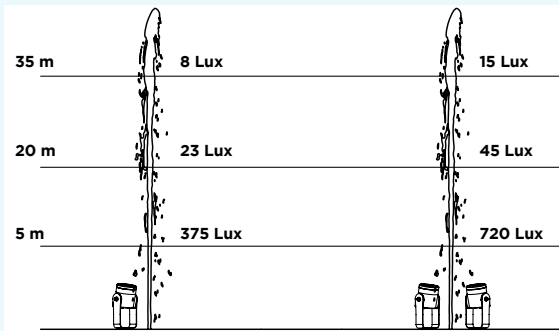


Dist. [m]	1	2	3	4	5	6
Lux	300	75	33	19	12	8

Corallo 1 5000K Power with 95° optics

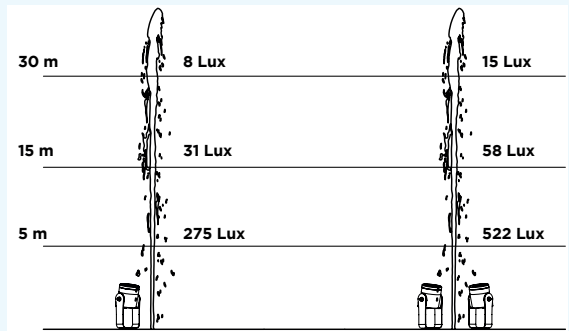


PHOTOMETRIC DATA
VARIABLE COLOR VERSION RGBW



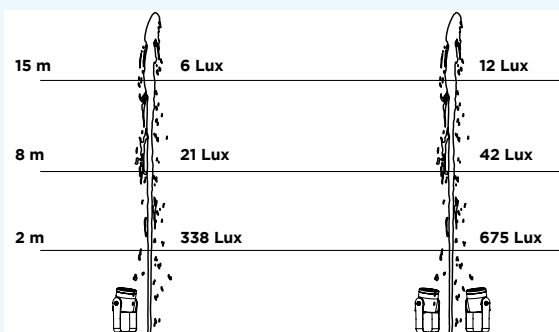
Dist. [m]	5	15	20	25	30	35
Lux	375	42	23	15	10	8

Corallo 1 RGBW with 7° optics
Calculated data with RGBW LEDs at 100% intensity.



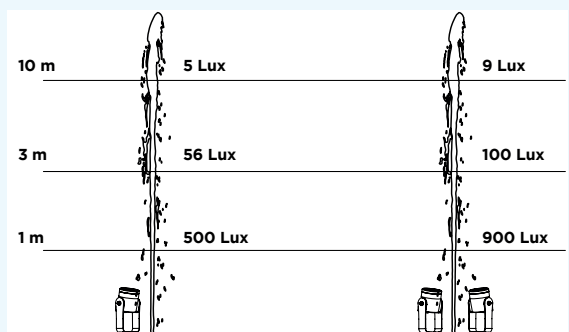
Dist. [m]	5	10	15	20	25	30
Lux	275	69	31	17	11	8

Corallo 1 RGBW with 10° optics
Calculated data with RGBW LEDs at 100% intensity.



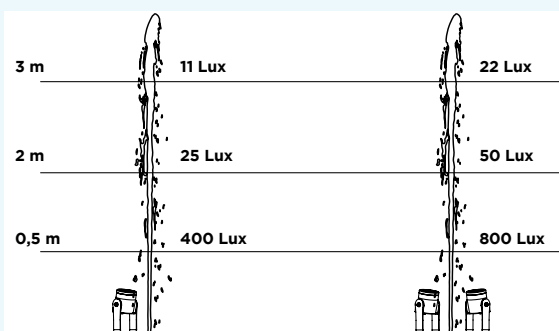
Dist. [m]	2	5	8	10	12	15
Lux	338	54	21	14	9	6

Corallo 1 RGBW with 25° optics
Calculated data with RGBW LEDs at 100% intensity.



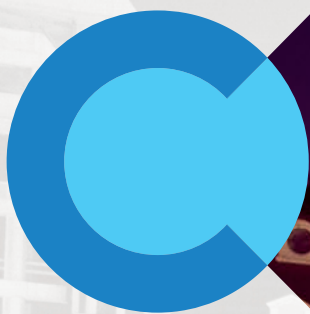
Dist. [m]	1	2	3	5	8	10
Lux	500	125	56	20	8	5

Corallo 1 RGBW with 35° optics
Calculated data with RGBW LEDs at 100% intensity.



Dist. [m]	0,5	1	1,5	2	2,5	3
Lux	400	100	44	25	16	11

Corallo 1 RGBW with 95° optics
Calculated data with RGBW LEDs at 100% intensity.



MINI SUB

Perfect and unobtrusive lighting with a touch of class.

MINI SUB represents the ideal solution for the architectural lighting of medium and small-sized fountains, offering excellent performance and a discreet design. Thanks to their compact size, these lamps seamlessly blend into the surrounding environment without being obtrusive.

Available with white or RGBW LEDs, they allow for a wide range of lighting effects. Additionally, they offer various optic options to meet different lighting needs.

MINI SUB lamps are the perfect choice for replacing traditional 50W spotlights and providing more efficient and eco-friendly lighting. The recessed version is perfect for floor fountains, ensuring subtle and sophisticated illumination.

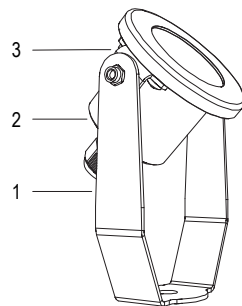




fontana MINISUB

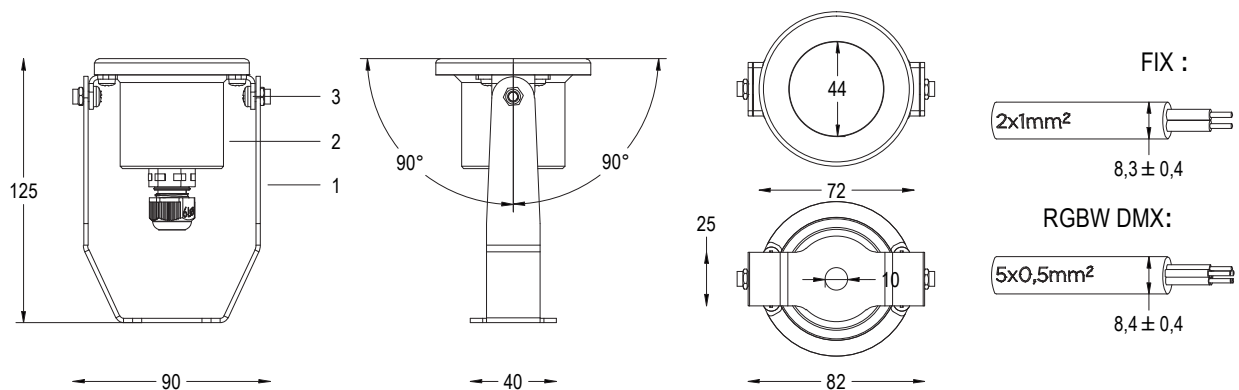
LED fountain lamp ideal for small- to medium-sized installations. Available with various optics to illuminate pools or jets of different shapes. Swivel bracket allows installation in any position.

-  24V DC
-  CL III
-  IP IP68
-  AISI316L STEEL
-  GLASS



- 1 MOUNTING BRACKET
- 2 LAMP
- 3 LAMP SUPPORT

Technical drawing



FIX FIXED COLOR VERSION

W **2**
WIRES

7.2 W 25 m

Other color temperatures are available upon request.

	Code	LED color	Total luminous flux	Beam opening	€
LAMP WITH SUPPORT and 8m of CABLE					
	7900387492	5000K	790 lumen	16°	-
	7900477492	5000K	790 lumen	30°	-
	7900567492	5000K	790 lumen	95°	-

DMX RGBW VARIABLE COLOR VERSION WITH DMX CONTROL

RGB **5**
WIRES

12 W DMX 512 RGBW
 15 m

	Code	LED color	Total luminous flux	Beam opening	€
LAMP WITH SUPPORT and 8m of CABLE					
	7905627494	RGBW	432 lumen	20°	-
	7905567494	RGBW	432 lumen	95°	-

ACCESSORIES



PSU 24V 120W
Cod. 0217210028
€ -
p. 52



PSU 24V 320W
Cod. 0221210028
€ -
p. 52



CABLE 2 X 1
Cod. 9003049010
€ -
p. 52



JOINT IP68
Cod. 5395000000
€ -
p. 53

ACCESSORIES DMX



CABLE 5 X 0.50
Cod. 9012029010
€ -
p. 52



IP68 "Y" JOINT
Cod. 5395410000
€ -
p. 53



DLC 901
Cod. 33171315
€ -
p. 46



STICK KE2
Cod. 29091306
€ -
p. 47



STICK DE3
Cod. 29090306
€ -
p. 47



DINA-DR2 LITE
Cod. 60001306
€ -
p. 48

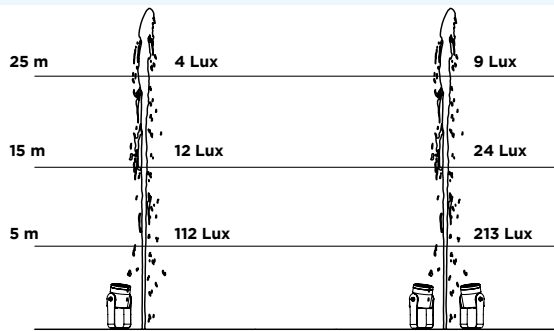


STICK GU2
Cod. 29090106
€ -
p. 48



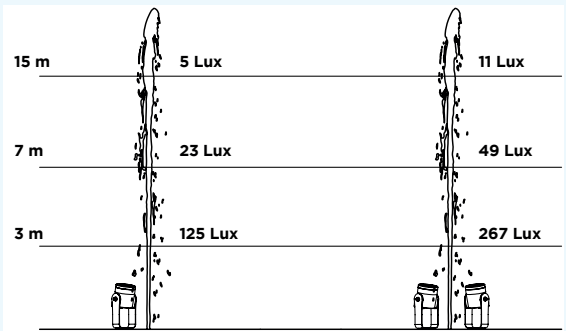
SPLITTER DMX
Cod. 00120432
€ -
p. 46

Comprehensive list of accessories and spare parts searchable from p. 44



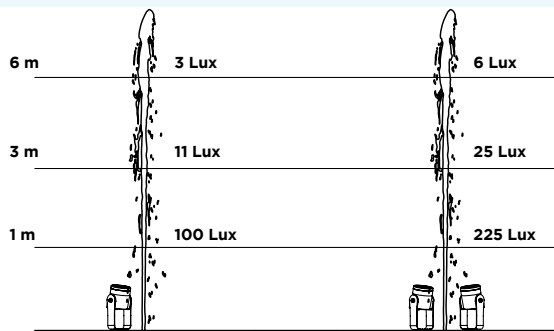
Dist. [m]	1	5	10	15	20	25
Lux	2800	112	28	12	7	4

Mini Sub Fontana 5000K Power with 16° optics



Dist. [m]	1	3	7	10	12	15
Lux	1125	125	23	11	8	5

Mini Sub Fontana 5000K Power with 30° Optics

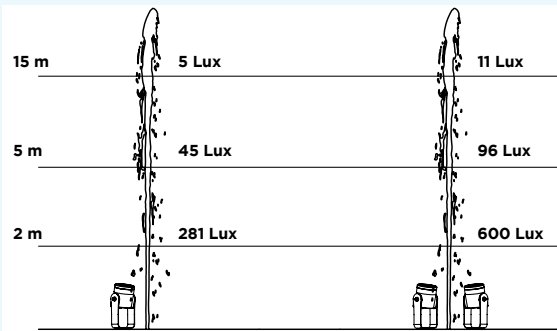


Dist. [m]	1	2	3	4	5	6
Lux	100	25	11	6	4	3

Mini Sub Fontana 5000K Power with 95° Optics

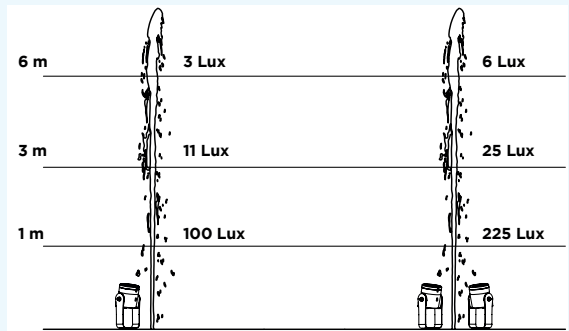


PHOTOMETRIC DATA
VARIABLE COLOR VERSION RGBW



Dist. [m]	1	2	3	5	10	15
Lux	1125	281	125	45	11	5

Mini Sub Fontana RGBW with 20° optics
Calculated data with RGBW LEDs at 100% intensity.



Dist. [m]	1	2	3	4	5	6
Lux	100	25	11	6	4	3

Mini Sub Fontana RGBW with 95° optics
Calculated data with RGBW LEDs at 100% intensity.

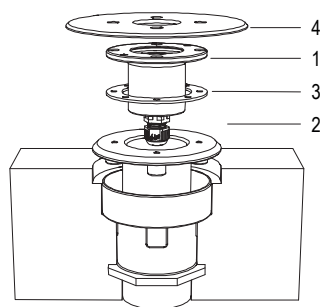


fontana MINISUB^{IN}

LED fountain lamp ideal for small- to medium-sized installations. Available with various optics to illuminate pools or jets of different shapes. Nozzle included for recessed installation in concrete.

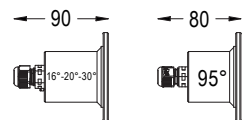
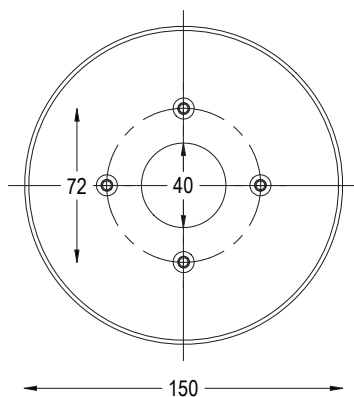
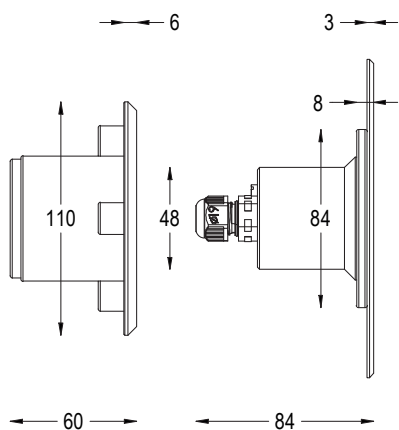
 24V DC
  CL III
  IP IP68

 AISI316L STEEL
  GLASS

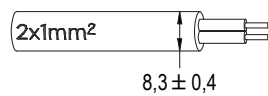


- 1 LAMP
- 2 INLET FITTING
- 3 GASKET
- 4 FRONT FLANGE

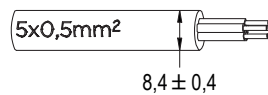
Technical drawing



FIX:



RGBW DMX:



FIX FIXED COLOR VERSION

W **2**
WIRES

7.2 W 25 m

Other color temperatures are available upon request.

	Code	LED color	Total luminous flux	Beam opening	€
LAMP WITH FLANGE, INLET and 8m of CABLE					
	7904387492	5000K	790 lumen	16°	-
	7904477492	5000K	790 lumen	30°	-
	7904567492	5000K	790 lumen	95°	-

DMX RGBW VARIABLE COLOR VERSION WITH DMX CONTROL

RGB **5**
WIRES

12 W DMX 512 RGBW
 15 m

	Code	LED color	Total luminous flux	Beam opening	€
LAMP WITH FLANGE, INLET and 8m of CABLE					
	7906537494	RGBW	432 lumen	20°	-
	7906567494	RGBW	432 lumen	95°	-

ACCESSORIES



PSU 24V 120W
Cod. 0217210028
€ -
p. 52



PSU 24V 320W
Cod. 0221210028
€ -
p. 52



CABLE 2 X 1
Cod. 9003049010
€ -
p. 52



JOINT IP68
Cod. 5395000000
€ -
p. 53

ACCESSORIES DMX



CABLE 5 X 0.50
Cod. 9012029010
€ -
p. 52



IP68 "Y" JOINT
Cod. 5395410000
€ -
p. 53



DLC 901
Cod. 33171315
€ -
p. 46



STICK KE2
Cod. 29091306
€ -
p. 47



STICK DE3
Cod. 29090306
€ -
p. 47



DINA-DR2 LITE
Cod. 60001306
€ -
p. 48

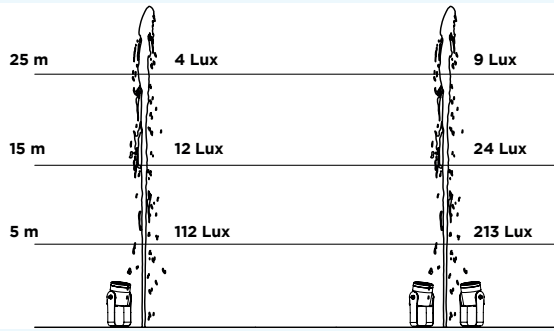


STICK GU2
Cod. 29090106
€ -
p. 48



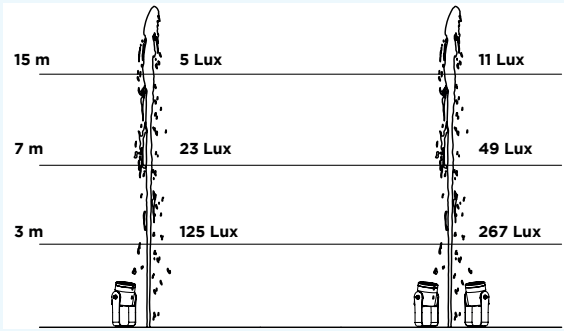
SPLITTER DMX
Cod. 00120432
€ -
p. 46

Comprehensive list of accessories and spare parts searchable from p. 44



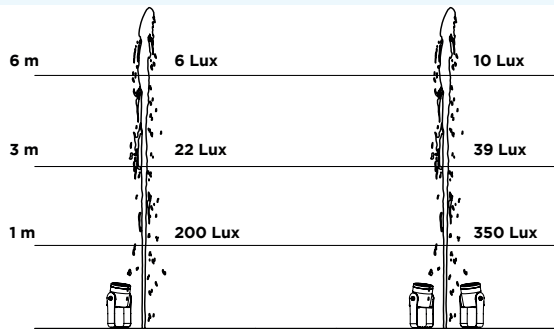
Dist. [m]	1	5	10	15	20	25
Lux	2800	112	28	12	7	4

Mini Sub Fontana In 5000K Power with 16° Optics



Dist. [m]	1	3	7	10	12	15
Lux	1125	125	23	11	8	5

Mini Sub Fontana In 5000K Power with 30° Optics

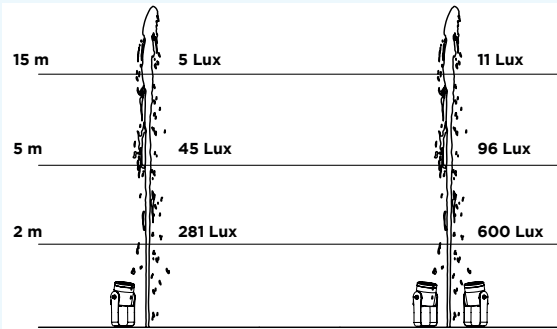


Dist. [m]	1	2	3	4	5	6
Lux	200	50	22	13	8	6

Mini Sub Fontana In 5000K Power with 95° Optics

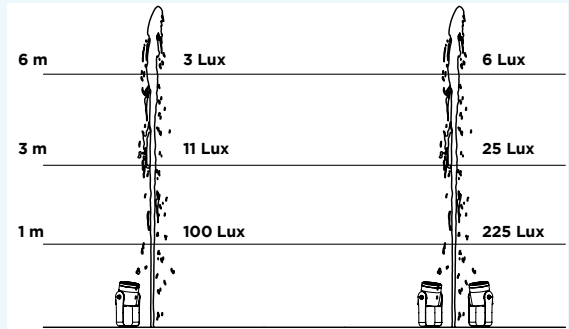


PHOTOMETRIC DATA
VARIABLE COLOR VERSION RGBW



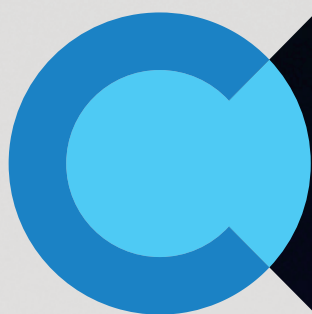
Dist. [m]	1	2	3	5	10	15
Lux	1125	281	125	45	11	5

Mini Sub Fontana In RGBW with 20° Optics
Calculated data with RGBW LEDs at 100% intensity.



Dist. [m]	1	2	3	4	5	6
Lux	100	25	11	6	4	3

Mini Sub Fontana In RGBW with 95° Optics
Calculated data with RGBW LEDs at 100% intensity.



CLASSIC

Maximum elegance to illuminate with style and efficiency.

CLASSIC is the line of LED lamps designed for the architectural lighting of medium to large-sized fountains, offering an appearance reminiscent of the classic lamps used until today. Available in both white and RGBW LEDs, they provide a wide range of lighting effects. They also offer various optic options to meet different lighting needs.

Thanks to their advanced technology, CLASSIC lamps can replace traditional 300W and 100W spotlights, offering more efficient and eco-friendly lighting. With their elegant design and cutting-edge performance, CLASSIC lamps represent the perfect solution for enhancing fountains in architectural settings.

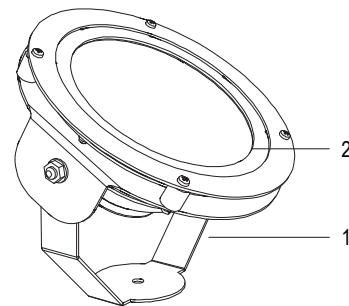




fontana PAR56POWER

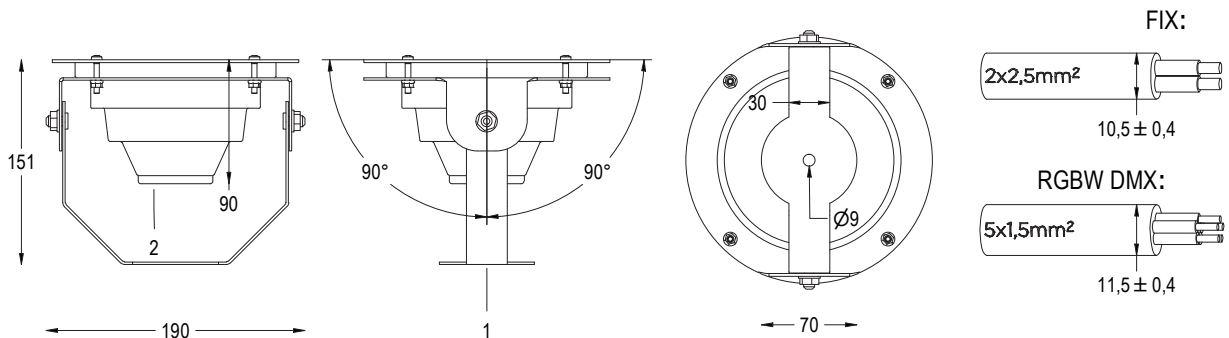
LED fountain lamp ideal for large-sized installations. Available with various optics to illuminate pools or jets of different shapes. Swivel bracket allows installation in any position.

-  24V DC
-  CL III
-  IP IP68
-  AISI316L STEEL
-  GLASS



- 1 MOUNTING BRACKET
- 2 LAMP

Technical drawing




FIX FIXED COLOR VERSION

W **2**
WIRES

40 W 40 m

Other color temperatures are available upon request.


	Code	LED color	Total luminous flux	Beam opening	€
LAMP WITH SUPPORT and 8m of CABLE					
	7314397492	5000K	5160 lumen	25°	-
	7314617492	5000K	5160 lumen	40°	-
	7314567492	5000K	5160 lumen	95°	-

DMX RGBW VARIABLE COLOR VERSION WITH DMX CONTROL

RGB **5**
WIRES

44 W DMX 512 RGBW

20 m

	Code	LED color	Total luminous flux	Beam opening	€
LAMP WITH SUPPORT and 8m of CABLE					
	7314617494	RGBW	2970 lumen	40°	-
	7414567494	RGBW	2970 lumen	95°	-

ACCESSORIES



PSU 24V 120W
Cod. 0217210028
€ -
p. 52



PSU 24V 320W
Cod. 0221210028
€ -
p. 52



JOINT IP68
Cod. 5395000000
€ -
p. 53



PAR 56 FONTANA BRACKET
Cod. 3039000000
€ -
p. 55

ACCESSORIES DMX



CABLE 5 X 1.50
Cod. 9012050012
€ -
p. 52



IP68 "Y" JOINT
Cod. 5395410000
€ -
p. 53



DLC 901
Cod. 33171315
€ -
p. 46



STICK KE2
Cod. 29091306
€ -
p. 47



STICK DE3
Cod. 29090306
€ -
p. 47



DINA-DR2 LITE
Cod. 60001306
€ -
p. 48

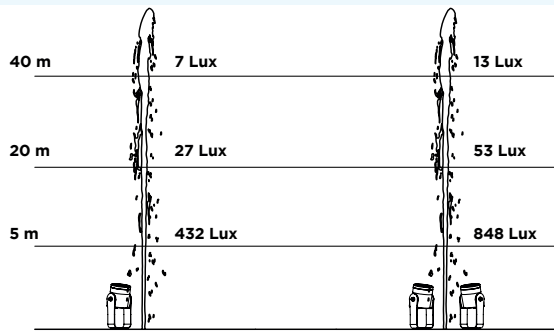


STICK GU2
Cod. 29090106
€ -
p. 48



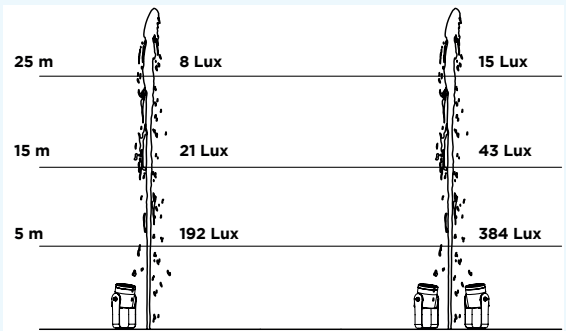
SPLITTER DMX
Cod. 00120432
€ -
p. 46

Comprehensive list of accessories and spare parts searchable from p. 44



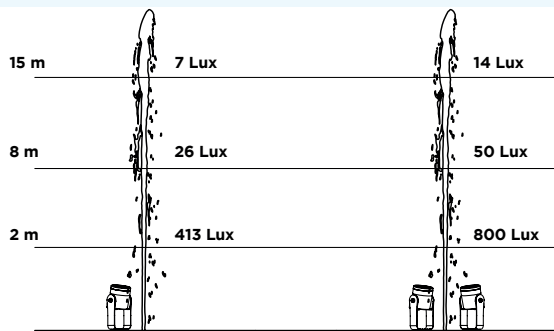
Dist. [m]	5	10	15	20	30	40
Lux	432	108	48	27	12	7

Par 56 Fontana 5000K Power with 25° optics



Dist. [m]	2	5	10	15	20	25
Lux	1200	192	48	21	12	8

Par 56 Fontana 5000K Power with 40° optics

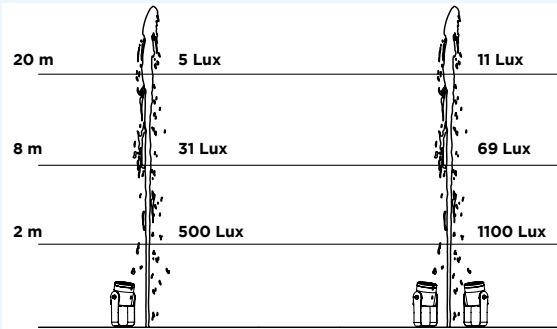


Dist. [m]	2	5	8	10	12	15
Lux	413	66	26	14	11	7

Par 56 Fontana 5000K Power with 95° optics

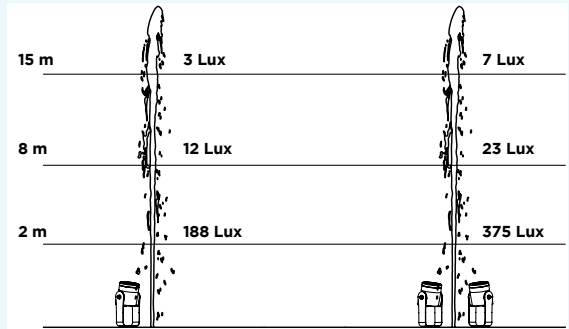


PHOTOMETRIC DATA
VARIABLE COLOR VERSION RGBW



Dist. [m]	2	5	8	10	15	20
Lux	500	80	31	20	9	5

Par 56 Fontana RGBW Power with 40° optics
Calculated data with RGBW LEDs at 100% intensity.



Dist. [m]	2	5	8	10	12	15
Lux	188	30	12	8	5	3

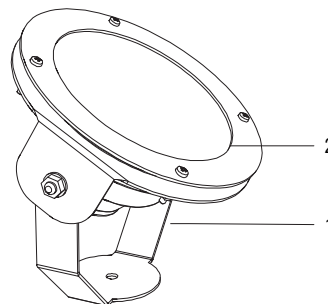
Par 56 Fontana RGBW Power with 95° optics
Calculated data with RGBW LEDs at 100% intensity.



fontana MINI

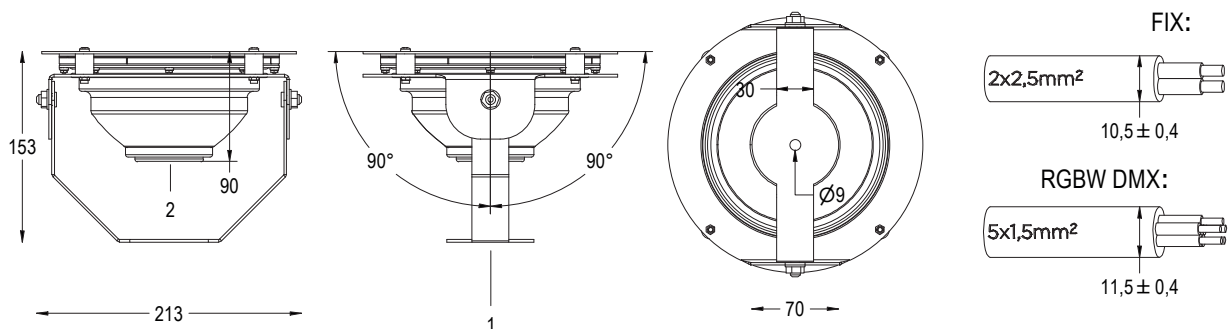
LED fountain lamp ideal for medium-sized installations. Available with various optics to illuminate pools or jets of different shapes. Swivel bracket allows installation in any position.

 24V DC
  CL III
  IP IP68
 AISI316L STEEL
  GLASS



- 1 MOUNTING BRACKET
- 2 LAMP

Technical drawing




FIX

FIXED COLOR VERSION

W **2**
WIRES

24 W 30 m

Other color temperatures are available upon request.


	Code	LED color	Total luminous flux	Beam opening	€
LAMP WITH SUPPORT and 8m of CABLE					
	7411397492	5000K	4060 lumen	25°	-
	7411617492	5000K	4060 lumen	40°	-
	7411567492	5000K	4060 lumen	95°	-

DMX

RGBW VARIABLE COLOR VERSION WITH DMX CONTROL

RGB **5**
WIRES

30 W DMX 512 RGBW
 15 m

	Code	LED color	Total luminous flux	Beam opening	€
LAMP WITH SUPPORT and 8m of CABLE					
	7412617494	RGBW	1896 lumen	40°	-
	7412567494	RGBW	1896 lumen	95°	-

ACCESSORIES



PSU 24V 120W
Cod. 0217210028
€ -
p. 52



PSU 24V 320W
Cod. 0221210028
€ -
p. 52



CABLE 2 X 2.5
Cod. 9003070012
€ -
p. 52



JOINT IP68
Cod. 5395000000
€ -
p. 53



MINI FONTANA BRACKET
Cod. 3053000000
€ -
p. 55

ACCESSORIES DMX



CABLE 5 X 1.50
Cod. 9012050012
€ -
p. 52



IP68 "Y" JOINT
Cod. 5395410000
€ -
p. 53



DLC 901
Cod. 33171315
€ -
p. 46



STICK KE2
Cod. 29091306
€ -
p. 47



STICK DE3
Cod. 29090306
€ -
p. 47



DINA-DR2 LITE
Cod. 60001306
€ -
p. 48

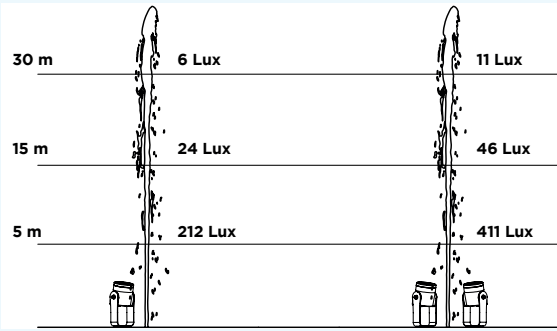


STICK GU2
Cod. 29090106
€ -
p. 48



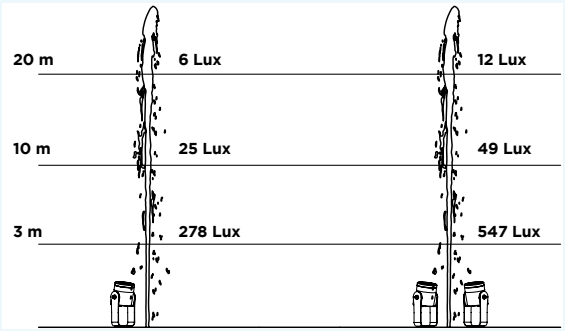
SPLITTER DMX
Cod. 00120432
€ -
p. 46

Comprehensive list of accessories and spare parts searchable from p. 44



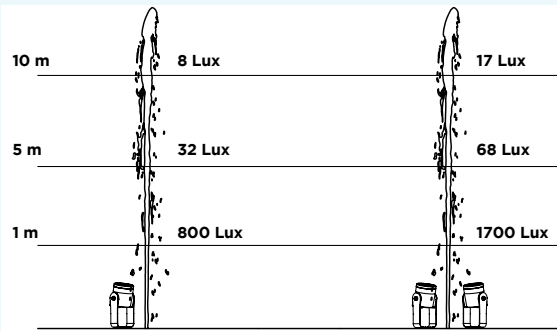
Dist. [m]	5	10	15	20	25	30
Lux	212	53	24	13	8	6

Mini Fontana 5000K Power with 25° optics



Dist. [m]	1	3	5	10	15	20
Lux	2500	278	100	25	11	6

Mini Fontana 5000K Power with 40° optics

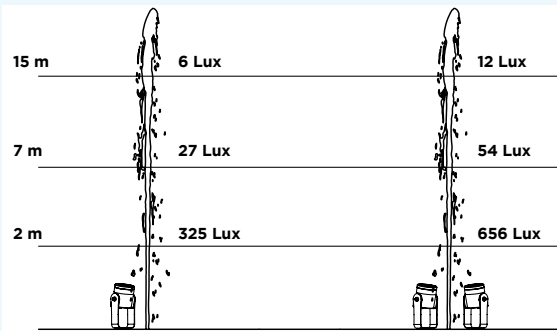


Dist. [m]	1	2	3	5	8	10
Lux	800	200	89	32	13	8

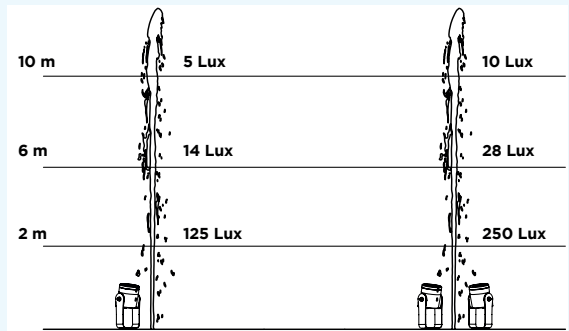
Mini Fontana 5000K Power with 95° optics



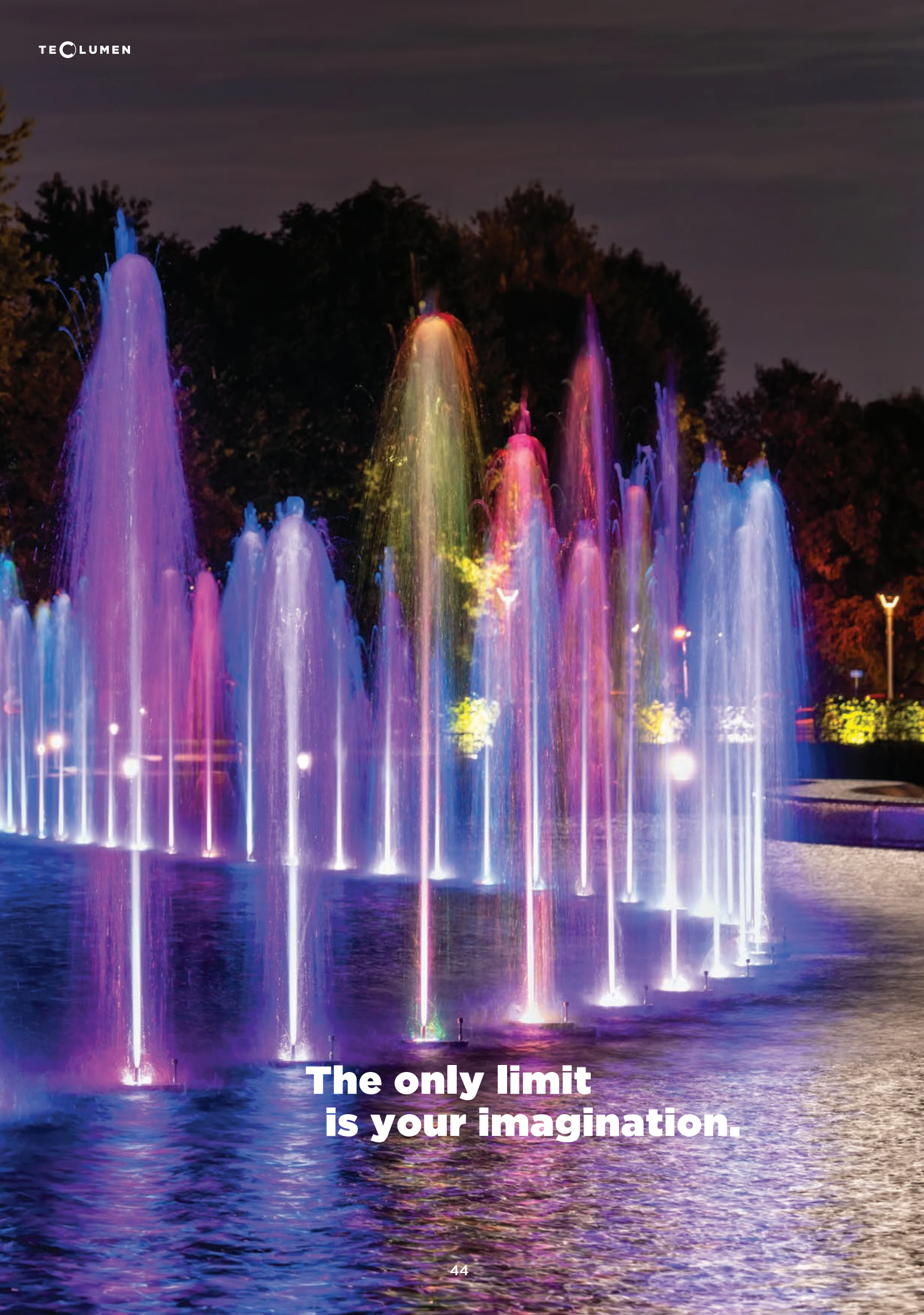
PHOTOMETRIC DATA
VARIABLE COLOR VERSION RGBW



Mini Fontana RGBW with 40° optics
Calculated data with RGBW LEDs at 100% intensity.



Mini Fontana RGBW with 95° optics
Calculated data with RGBW LEDs at 100% intensity.



**The only limit
is your imagination.**

Central control units

A selection of lighting controllers from the best suppliers in the market, that works with the standard DMX-512 and PLC technology.

These systems allow users to exploit all the functions of the lamps.

The combination of advanced technology in these devices along with the creativity of the operators enables the creation of true water spectacles.



SPLITTER DMX

12V DC
 1 x 512 RDM
 DIN
 W 105 x D 110 x H 60 mm

DMX splitter with 1 IN and 6 OUT connections by terminal block with din rail mounting support. 12V DC power supply not included.

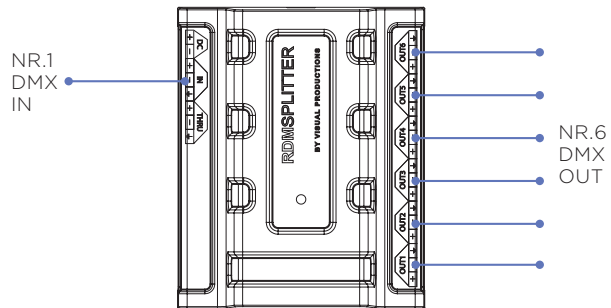
Code	€
00120432	-

Accessories



12V DC POWER SUPPLY FOR DIN MOUNTING
 Cod. 0200190029
 € -

Technical drawing



DONGLE DLC 901

2 x AA 12V ricaricabili
 1 x 512 RDM
 W 110 x D 68 x H 30 mm

DMX RDM Dongle for remote control, test, functions setup, DMX channel setup of Teclumen equipment.

Code	€
33171315	-





STICK KE2

5-6V DC
 DMX 2x512
 5
 WALL MOUNTING

W 106 x D 145 x H 10 mm

Software to control projectors with DMX512 signal, complete with CD, USB/ETHERNET/DMX interface, touch-sensitive control panel, mini SD card, stand-alone operation with 1024 DMX channels and 5 zones.

Code	€
29091306	-

Accessories



POWER SUPPLY STICK
 Cod. 0201150000
 € -



STICK DE3

5-6V DC
 DMX 2x512
 10
 WALL MOUNTING

W 106 x D 145 x H 10 mm

Software to control projectors with a DMX512 signal, complete with CD, USB/ETHERNET/DMX interface, touch-sensitive control panel, mini SD board, independent operation with 1024 DMX channels and 10 zones.

Code	€
29090306	-

Accessories



POWER SUPPLY STICK
 Cod. 0201150000
 € -



DINA

3-6 DC 350 mA
 1x512
 5
 DIN
 W 106 x D 59 x H 91 mm

Software to control projectors with DMX512 signal, complete with CD, USB / DMX interface, mini SD card. Stand Alone Operation.

Code	Types	€
60001306	DINA-DR2 LITE	-

Accessories



12V DC POWER SUPPLY FOR DIN MOUNTING
 Cod. 0200190029
 € -



STICK GU2

5-6V DC
 1x128
 1
 WALL MOUNTING
 W 86 x D 86 x H 11 mm

Software to control projectors with DMX512 signal, complete with installation CD and USB/DMX interface, touch-sensitive control panel, with stand-alone operation.

Code	€
29090106	-

Accessories



POWER SUPPLY STICK
 Cod. 0201150000
 € -



**A wide range
of quality.**

Accessories

The right accessory in a system can make the difference in terms of aesthetics and functional aspects.

A wide range of carefully selected accessories completes the supply of materials for installing lamps in pools and fountains.

Having a variety of accessories ensures that the installation process is smooth and efficient, while also enhancing the overall visual appeal of the lighting setup.

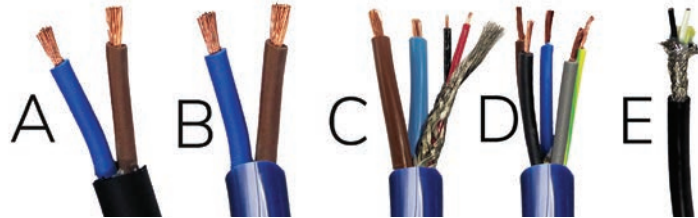


SPECIAL CABLES

Special cables for electrical connection of lamps. You can order lamps by requesting the length of the installed cable with sizes of 4 m (standard), 8 m, 12 m, 16 m and 20 m. To find out the maximum allowed length according to the lamp model, so that there is no voltage drop, see the product page.

Code	Conductors	Types	Outer diameter	€
9003121512	2 x 6 mm ²	B	14 mm	-
9003070012	2 x 2.5 mm ²	A	11 mm	-
9003079010	2 x 2.5 mm ²	B	11 mm	-
9003049010	2 x 1 mm ²	B	8,5 mm	-
9012029010	5 x 0.50 mm ²	D	8,5 mm	-
9003099010	2 x 4 mm ² + 2 X 0.5 SCHERMATO	C	12,5 mm	-
9003029912	2 x 0.5 mm ² + SCHERMO	E	5,6 mm	-

Technical drawing



24V DC IP67 POWER SUPPLY

Constant voltage power supplies 24V DC IP67



Code	V	IP	Dimensions W x D x H mm	Weight	€
0217210028	230 V AC	IP67	200x70x40	1.2 kg	-
0221210028	230 V AC	IP67	250x90x45	1.9 kg	-

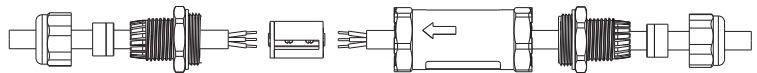
5-PIN IP68 JOINT



5-Pin watertight IP68 joint for cable with minimum external diameter 7 mm and maximum 13.5 mm.

Code	€
5395000000	-

Technical drawing



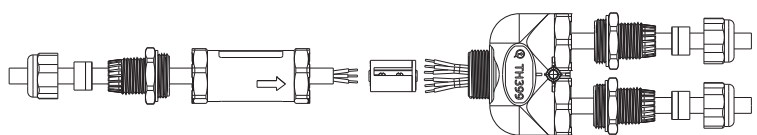
5-PIN "Y" IP68 JOINT



3-Way "Y" 5-pin watertight IP68 joint for cable with minimum external diameter 7 mm and maximum 13.5 mm.

Code	€
5395410000	-

Technical drawing



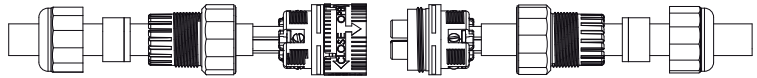


IP68 CONNECTORS

Male-female 5-pin IP68 connector kit for underwater cable.

Code	Description	€
5300788700	M-F IP68 CONNECTOR for 5x1 CABLE	-

Technical drawing

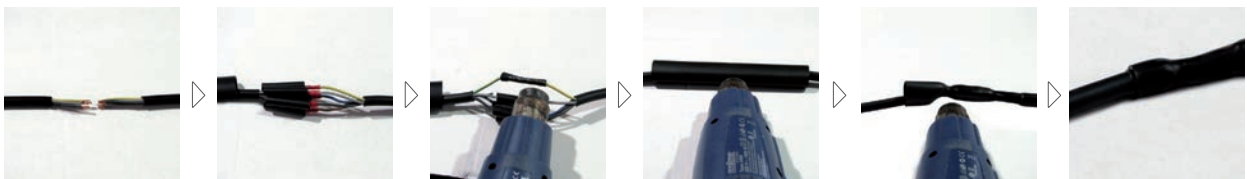


CABLE INSULATION KIT

Isolation kit for contacts for Par 56 RF lamp. Contains:
 1 x Junction cap
 2 x Two-component resin syringes (1 for the MINI version)
 1 x disposable gloves
 1 x Resin preparation bag

Code	Conductors	Types	€
1600010100	5	GRANDE	-
1600020100	5	PICCOLO	-

Assembly sequence



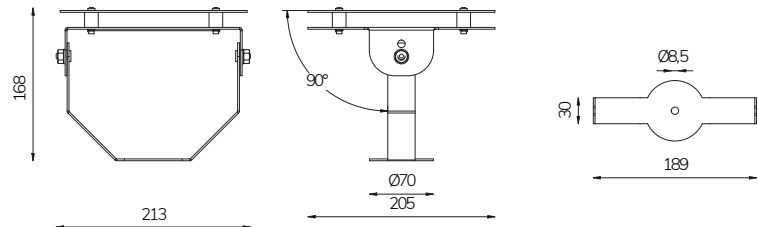


BRACKET FOR PAR 56 FONTANA

AISI316L stainless steel swivel bracket for fixing PAR 56 spotlights inside fountains.

Code	Weight	€
3039000000	0.7 kg	-

Technical drawing

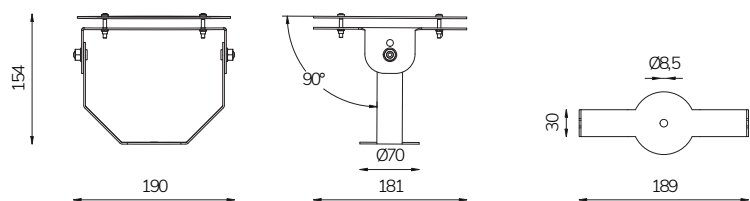


BRACKET FOR MINI FONTANA

AISI316L stainless steel swivel bracket for fixing MINI TK spotlights inside fountains.

Code	Weight	€
3053000000	0.6 kg	-

Technical drawing



ALONG WITH OUR LIGHTS, WE PROVIDE YOU WITH ALL OUR EXPERIENCE.



CUSTOMIZATION OF PRODUCTS.

We offer personalized sizes and designs to meet specific requirements.



36-MONTH WARRANTY.

All our products are covered by a 36-month warranty, ensuring their quality and durability.



TRACEABILITY.

Each product is assigned a unique serial number for easy identification. In case of replacement or addition, Teclumen guarantees that the new products will have the same technical characteristics.



FAST DELIVERY TIMES.

Thanks to our well-stocked warehouse, we can ensure quick delivery of our products.

SERVICE ABOVE ALL. EVEN AFTER THE SALE.

PRE-SALES SERVICES:



ILLUMINATION AND ELECTRICAL DESIGN SUPPORT.

Thanks to our design department, Teclumen provides customers with DIALux projects with renderings that allow them to immediately visualize the final installation result. This also provides installers with a tool to enhance their commercial offerings.

Our company can support customers during the electrical system design phase, providing precise calculations and guidance regarding cable sizing, junction box positions, and electrical panels.



OUR SUPPORT ALWAYS AVAILABLE.

Our representative and office are at the service of customers, providing clarifications and guidance on technical and commercial support during the purchase process.

POST-SALES SERVICES:



TOTAL AVAILABILITY.

A commercial representative is always available to assist with any type of request and provide information.



QR CODE.

All Teclumen product boxes are equipped with a QR code that allows users to access the product's technical specifications at any time.

This way, the most important installation information is readily available without having to contact customer support.

GENERAL CONDITIONS OF SALE

ART. 1 GENERAL

These conditions of sale, which supersede and replace previous conditions, are applicable to all the orders processed and are understood as accepted in their entirety by the buyer on verbal or written order confirmation. Collection of the goods constitutes an implicit order confirmation.

ART. 2 PRODUCTS

The products are shown in the relevant catalogues and price lists. Small changes in the production and presentation of the product, which do not change the features of the product's use, may be made by our Company without notice and may not be presented as grounds for cancellation of the order by the buyer.

ART. 3 PRICES

Orders less than € 300.00 (understood as net goods) will not be accepted. All the prices in our price lists are "Franco Casaloldo (MN) Italia", VAT excluded. Discounts: are applied in proportion to the quantities ordered annually and by each order.

ART. 4 PACKING

For standard packing a cost of 2% of the value of the goods will be charged.

ART. 5 SHIPPING

If the means of transport is not explicitly stated by the customer, the shipment will be sent by the method we consider most suitable and the buyer may not refuse payment of the shipping costs. Goods travel at the customer's risk and liability even if shipped carriage free. Insurance will be provided only at the specific request and cost of the buyer.

ART. 6 DELIVERIES

The delivery terms are not binding but only approximate. The buyer will release the seller from all and any liability for damages resulting from delays in delivering the goods. Delay in the delivery of special pieces specifically produced cannot be construed as grounds for cancellation of the order.

ART. 7 WARRANTY

Our products are covered by a warranty against defects in material or workmanship for which we are responsible, for a period of 36 months from the delivery date. The warranty lapses if:

- a) the product has been used in conditions not indicated by us;
- b) the goods have been modified or tampered with by persons not authorised by our Company.

The warranty covers only the repair or replacement of defective products with the absolute exclusion of any liability arising from damage caused by the use of our products.

N.B.: In the event of repair or replacement at our plant the goods will be shipped at the customer's cost.

ART. 8 COMPLAINTS

Any complaints must be made within 8 days of delivery of the goods.

ART. 9 RETURNS

Every return must be authorised beforehand by the sales department that made the sale, by filling out the relevant RMA form. An identity number will be assigned which must be attached to the goods when they are returned. Goods returned without an identity number will not be accepted. All returns must be shipped carriage free.

ART. 10 PAYMENTS

Payments must be made to Teclumen s.r.l. Discounts and rounding are not accepted and only the cost incurred will be charged back in the invoice. This amount is VAT exempt pursuant to art. 15/3 of Italian Presidential Decree 633/72. Any late payments will be subject to interest at 1.5% per month in addition to bank charges and any legal fees.

ART. 11 RETENTION CLAUSE

The goods remain the property of the seller Teclumen s.r.l. Until complete payment for the same in addition to the sums due for shipment, insurance, etc.

ART. 12 WITHDRAWAL FROM THE CONTRACT

If the customer cancels the order entirely or partially for any reason, a payment of 20% will be required.

ART. 13 DISPUTES

For any dispute the court of Mantua will have jurisdiction.

ART. 14 SPECIFICATIONS

The data in this document may be subject to change without notice in order to improve the product or correct any errors.





See the difference.



TECLUMEN srl

Via Castel Goffredo, 35/1 - 46040 Casaloldo (MN) - Italy

T +39.0376.778670 - F +39.0376.778660

info@teclumen.it